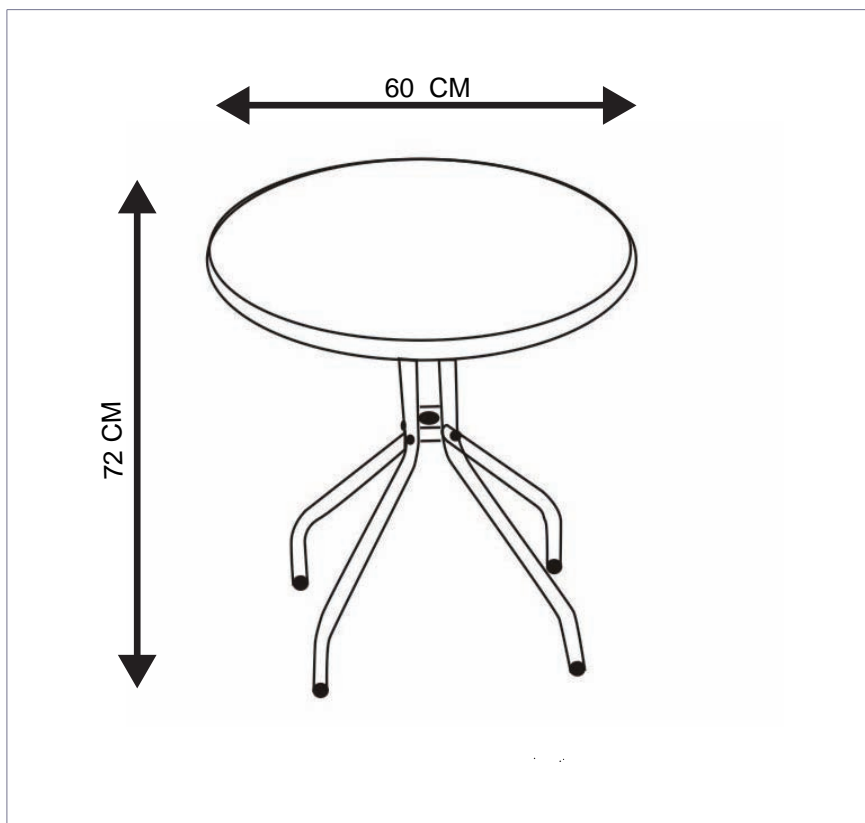




ASSEMBLY INSTRUCTION
ANCHOR OUTDOOR TABLE
ITEM CODE 56219

Imported by Amart Furniture Pty Ltd, Qld, Brisbane Australia.

For any assistance with assembly or for missing parts please phone
Amart Furniture, Customer Service Free call 1800 009 466



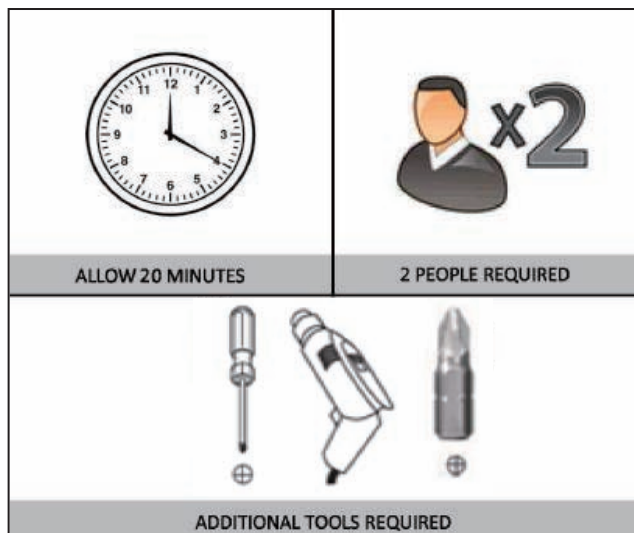
Imported by Amart Furniture Pty Ltd, Qld, Brisbane Australia.

For any assistance with assembly or for missing parts please phone
Amart Furniture, Customer Service Free call 1800 009 466

PRE-ASSEMBLY PREPARATION

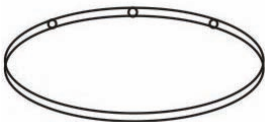


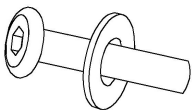


Before you start:

1. Choose a clean, level, spacious assembly area. Avoid hard surfaces that may damage the product
2. Take care when lifting. Product should be assembled as near as possible to the point of use
3. Ensure that you have all required contents for complete assembly
4. Always read the assembly instructions carefully before beginning assembly.
5. Keep all hardware parts and packaging out of reach of small children.
6. Do not over tighten the screws and bolts as this may damage the threads



PARTS LIST



<p>(A)</p>  <p>Table Top 1PC</p>	<p>(B)</p>  <p>Leg 4PCS</p>		
<p>(C)</p>  <p>Washer 2PCS</p>	<p>(D)</p>  <p>Screws 8PCS</p>	<p>(E)</p>  <p>Plastic Cap 8PCS</p>	<p>(F)</p>  <p>Spanner 1PC</p>

1

ITEM REQUIRED

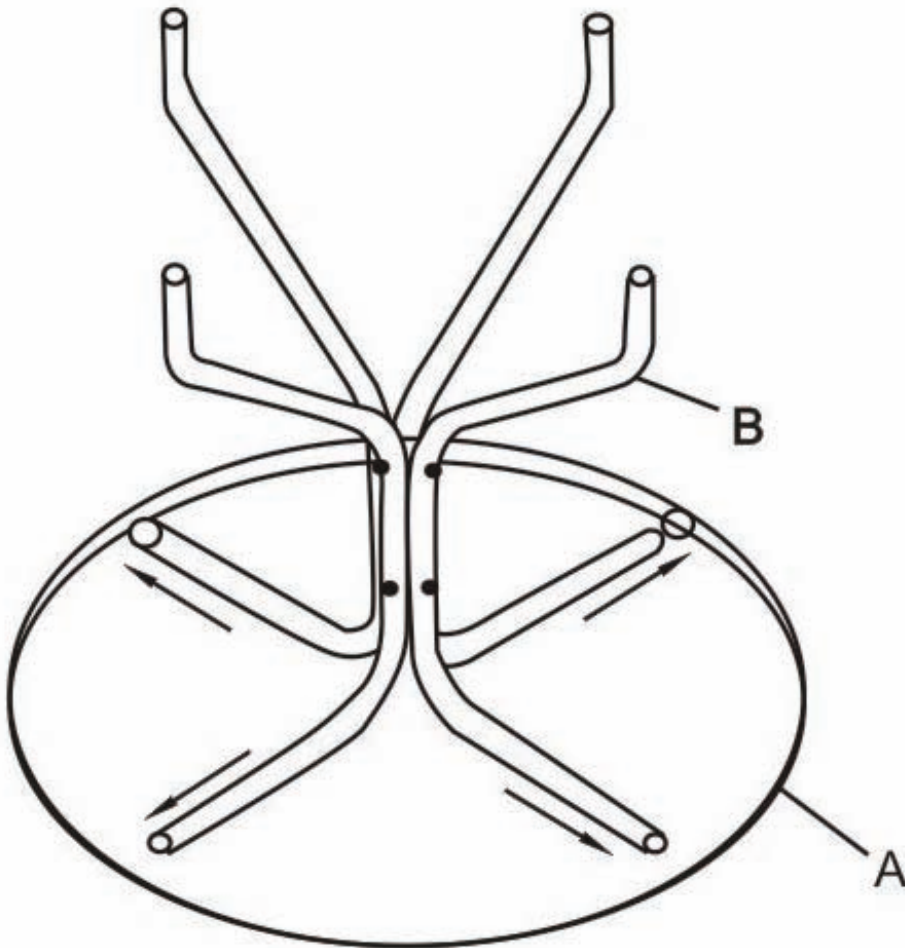


Table Top 1PC



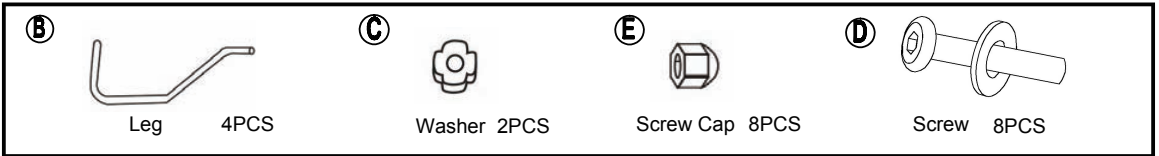
Leg 4PCS

- Place Table Top (a) on flat surface
- Insert Table Legs (b) in bottom of Table Top (a)

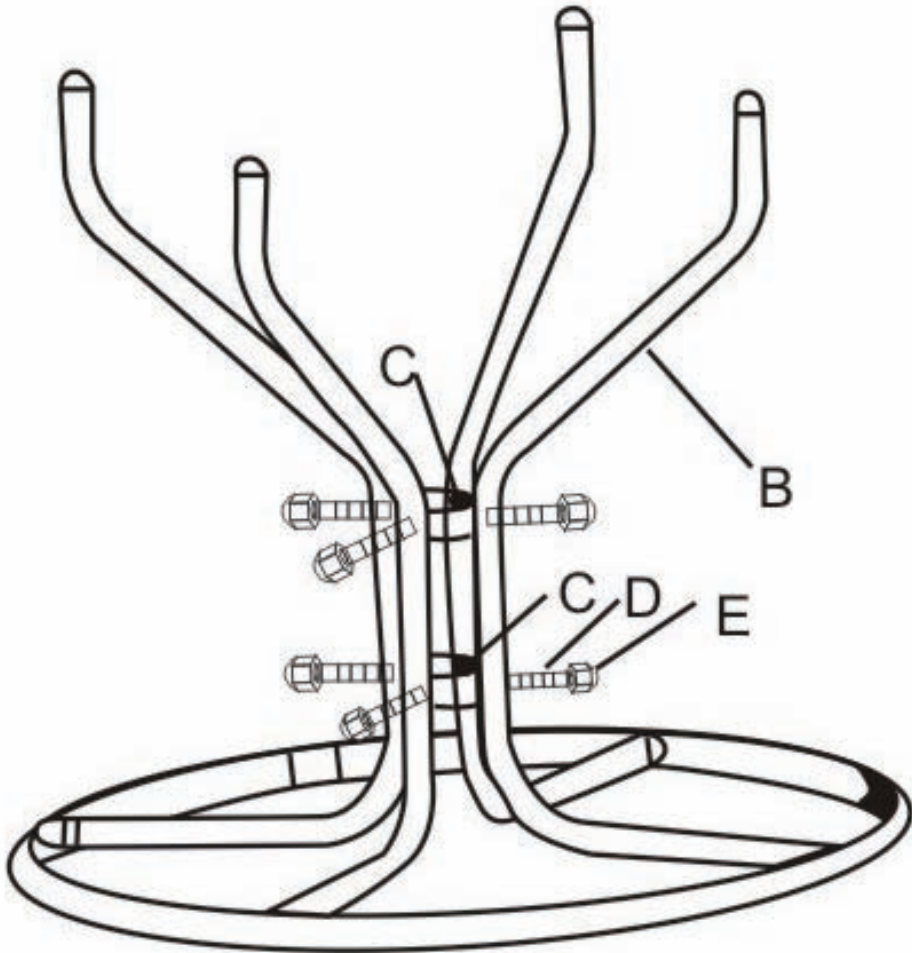


2

ITEM REQUIRED



- Attach legs(B) together using Screws(D) & Washer (C) & Cap (E)
- With 2 people carefully turn over.



ASSEMBLY IS COMPLETE



Care and maintenance



GLASS

- If the glass is chipped or broken, stop using the product and consult the place of purchase
- Do not drop, drag or strike glass
- Do not sit or stand upon the glass surfaces
- Do not place very hot or cold items on the glass unless adequately thick table mats are used to prevent such items coming in contact with the glass
- Do not place heavy objects on glass
- Avoid scratching the glass or using as a chopping surface
- Do not strike the glass with hard or pointed items
- When cleaning the glass panels, use a damp cloth with washing up liquid or soft soap if necessary. Do not use washing powders or any other substances containing abrasives that may potentially scratch the glass

CHAIRS AND STOOLS

Do not:

- Use chair/stool as a ladder
- Climb on the chair/stool
- Stand on the foot-rest of the chair, as this could lead to the stool becoming unbalanced and overturning

WICKER AND TEXTILENE

- Our Resin Wicker furniture requires very little maintenance to keep it looking like new. For daily care and spills, simply wipe clean using a soft, dry cloth. To remove dirt and grime, simply rinse with fresh water or periodically clean using a sponge and mild detergent solution as required.
- To protect the finish, avoid the use of abrasive chemicals, harsh cleaners, rough cleaning pads and polishes.

IN CASE OF DIRECT SUNLIGHT

- To guard against fading, any Outdoor Furniture exposed to direct sunlight or the everyday elements, we recommend the use of outdoor furniture covers.
- For cushions exposed to direct sunlight or the everyday elements, we recommend storage of cushions when not in use.